



FAMED SAĞLIK TIBBİ
CİHAZLARI LTD ŞTİ.

CHOOSE YOUR HEALTH, NOT US.

ROCK SALT AEROSOL THERAPY DEVICE KC-S200

The device does not have a corrosive effect
in the environment where it is used.



1- Dry salt aerosols can prevent, alleviate, and help treat various respiratory diseases through multiple mechanisms, including mucolytic effects, anti-inflammatory effects, antibacterial activity, and improvement of mucociliary clearance. It protects the respiratory system and strengthens respiratory immunity.

2- Salt therapy is a natural, non-pharmacological treatment that serves as an effective complementary method to traditional pharmacological treatments for respiratory diseases.

3- When dry salt aerosol is dispersed into the air, salt particles carry a negative charge and can adsorb and encapsulate dust and pathogens in the air. During the recrystallization process of salt particles, the structure of viruses can be disrupted. Combined with the hypertonic effect of salt, bacteria become dehydrated and inactive. In this way, dry salt aerosol provides dust reduction, disinfection, and sterilization effects.



Preparations Before Use

Use in enclosed spaces; please keep doors and windows closed. The use of air filtration devices during operation is not recommended.



Recommended Usage Duration

Especially recommended for night use, and exposure in the environment should be at least 8 hours per day. If necessary, the exposure duration can be extended during the day. One device can effectively treat an area of up to 30 square meters. For initial use (at least 3 months), it is recommended to use the device intensively. In office or indoor environments, take every opportunity to increase usage duration.



Filter

The device has a compact structure and consists of a special filter made from microcrystalline rock salt and a blower mechanism. It contains natural sodium chloride (99%) and small amounts of minerals (MgCl, KCl, CaCl). To maintain optimal performance, it is recommended to replace the filter after 3-4 months of use. If not used after opening, store the filter in a dry and sealed environment.



99%
Natural
Rock Salt



Dust Reduction,
Disinfection,
and
Sterilization



Protects the
respiratory
system and
boosts immunity



Supportive
therapy for
respiratory
diseases



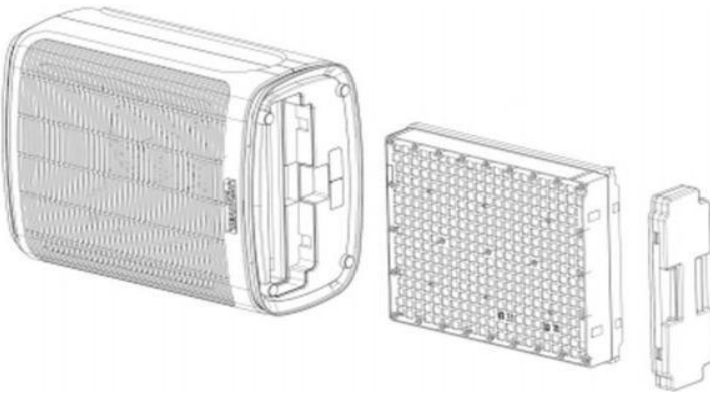
natural, safe,
non-
pharmacologic
al treatment

ROCK SALT AEROSOL THERAPY DEVICE KC-S200



FILTER INSTALLATION

- (1) Place the device horizontally with the side facing upward and remove the bottom base.
- (2) Insert the filter and reattach the bottom base.
- (3) Position the device upright with the back side facing upward.



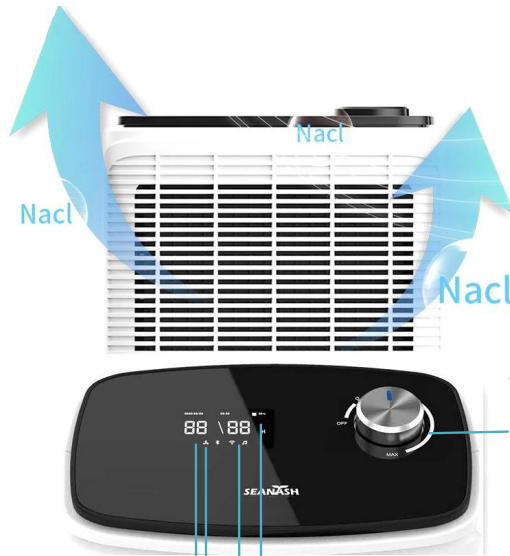
Use the included rock salt filter.

OPERATION

Plug in the device and turn on the power.



Power On/Off
Power Input
Light On/Off



Turn clockwise:
Off → On → Maximum
Turn counterclockwise:
Maximum → On → Off

Remaining Salt Percentage
Humidity
Temperature
Operating Indicator